



US0D1047949S

(12) **United States Design Patent**
Lee et al.

(10) **Patent No.:** **US D1,047,949 S**

(45) **Date of Patent:** **** *Oct. 22, 2024**

(54) **ELECTRONIC DEVICE**

(71) Applicant: **Samsung Electronics Co., Ltd.**,
Suwon-si (KR)

(72) Inventors: **Seo Lee**, Suwon-si (KR); **Seungchan Lee**, Suwon-si (KR); **Sangchulmatt Lee**, Suwon-si (KR); **Hoon Han**, Suwon-si (KR); **Yunjeong Ji**, Suwon-si (KR); **Seonkeun Park**, Suwon-si (KR); **Duyeong Choi**, Suwon-si (KR)

(73) Assignee: **SAMSUNG ELECTRONICS CO., LTD.**, Suwon-si (KR)

(*) Notice: This patent is subject to a terminal disclaimer.

(**) Term: **15 Years**

(21) Appl. No.: **29/906,616**

(22) Filed: **Nov. 7, 2023**

Related U.S. Application Data

(63) Continuation of application No. 29/863,683, filed on Dec. 21, 2022, now Pat. No. Des. 1,007,454, which is (Continued)

(30) **Foreign Application Priority Data**

Jun. 30, 2020 (KR) 30-2020-0029784
Jun. 30, 2020 (KR) 30-2020-0029785
(Continued)

(51) **LOC (14) Cl.** **14-03**

(52) **U.S. Cl.**
USPC **D14/341**

(58) **Field of Classification Search**
USPC D14/127, 138 AA, 138 AB, 138 AC, D14/138 AD, 138 C, 138 R, 138 G, 203.4,
(Continued)

(56) **References Cited**

U.S. PATENT DOCUMENTS

9,857,849 B1 1/2018 Siddiqui
D819,628 S 6/2018 Park
(Continued)

FOREIGN PATENT DOCUMENTS

WO D204130-001 3/2019

OTHER PUBLICATIONS

GSMarena.com, Huawei announces the MatePad Pro, a flagship tablet with punch-hole display, first available Nov. 25, 2019 [online], retrieved Dec. 27, 2023, available at URL: https://www.gsmarena.com/huawei_announces_the_matepad_pro_the_first_tablet_with_a_punchhole_display-news-40246.php (Year: 2019).*

(Continued)

Primary Examiner — Bao-Yen T Nguyen

Assistant Examiner — Carrie S Gelula

(74) *Attorney, Agent, or Firm* — McAndrews Held & Malloy, Ltd.

(57) **CLAIM**

The ornamental design for an electronic device, as shown and described.

DESCRIPTION

FIG. 1 is a front perspective view of an electronic device showing our new design;
FIG. 2 is a front elevation view thereof;
FIG. 3 is a rear elevation view thereof;
FIG. 4 is a left side elevation view thereof;
FIG. 5 is a right side elevation view thereof;
FIG. 6 is a top plan view thereof;
FIG. 7 is a bottom plan view thereof;
FIG. 8 is an enlarged view of the encircled portion in FIG. 1;
FIG. 9 is an enlarged view of the encircled portion in FIG. 1; and,

(Continued)

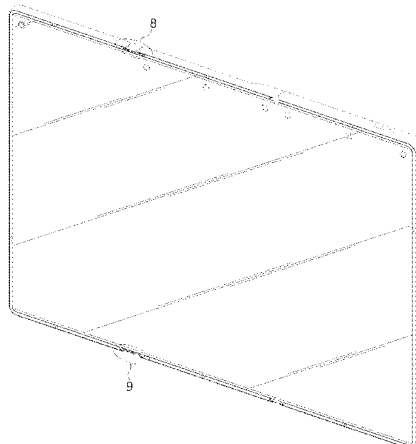


FIG. 10 is an enlarged view of the encircled portion in FIG. 3.

The short dash-dash broken lines in the figures illustrate portions of the electronic device that form no part of the claimed design. The dot-dot-dash broken lines encircling portions of the claimed design that are illustrated in enlargements form no part of the claimed design.

1 Claim, 7 Drawing Sheets

Related U.S. Application Data

a continuation of application No. 29/762,008, filed on Dec. 14, 2020, now Pat. No. Des. 975,074.

(30) Foreign Application Priority Data

Jun. 30, 2020	(KR)	30-2020-0029786
Jun. 30, 2020	(KR)	30-2020-0029790
Jun. 30, 2020	(KR)	30-2020-0029860
Jun. 30, 2020	(KR)	30-2020-0029861
Jun. 30, 2020	(KR)	30-2020-0029862
Jun. 30, 2020	(KR)	30-2020-0029866
Jun. 30, 2020	(KR)	30-2020-0029868
Jun. 30, 2020	(KR)	30-2020-0029870
Jun. 30, 2020	(KR)	30-2020-0029873

(58) Field of Classification Search

USPC D14/214, 248, 250, 315-318, 330, 341, D14/342, 345-347, 373, 426; D21/330
 CPC G06F 1/1652; G06F 1/1641; G06F 1/1647; H04M 1/0268

See application file for complete search history.

(56) References Cited

U.S. PATENT DOCUMENTS

D828,318 S	9/2018	Seo
D833,431 S	11/2018	Bae

D894,145 S	8/2020	Lee	
D897,302 S	9/2020	Lee	
D910,009 S	2/2021	Wu	
D910,622 S	2/2021	Lee	
D913,282 S	3/2021	Song	
D920,272 S	5/2021	Lee	
D922,974 S	6/2021	Bae	
11,178,264 B2	11/2021	Kim	
D947,843 S	4/2022	Bae	
D953,283 S	5/2022	Chen	
D953,316 S	5/2022	Lee	
D955,381 S	6/2022	Yamazaki	
D955,384 S	6/2022	Lee	
D957,389 S	7/2022	Jang	
D961,588 S	8/2022	Lee	
11,402,877 B2	8/2022	Sagen	
D964,336 S	9/2022	Lee	
D978,140 S *	2/2023	Song	D14/341
D979,527 S	2/2023	Zhang	
D982,583 S *	4/2023	Lee	D14/345
D999,764 S *	9/2023	Lee	D14/248
D1,003,880 S *	11/2023	Lee	D14/341
D1,007,454 S *	12/2023	Lee	D14/341
D1,008,205 S *	12/2023	Lee	D14/138 AD
2011/0241998 A1	10/2011	McKinney	
2023/0145073 A1 *	5/2023	Luo	H04N 23/53 455/566

OTHER PUBLICATIONS

youtube.com, Top of the rock, Samsung tri fold Phone, tri fold Phones, Samsung foldable phones, first available Jul. 28, 2023 [online], retrieved Dec. 14, 2023, available at URL: <https://youtu.be/lsGpqUMLBjs?si=ffdj1-2pU5wOKU2g> (Year: 2023).*

Cherlynn Low, "TCL's concept device folds twice to fit a 10-inch screen in your pocket", Engadget, first available Mar. 5, 2020 [online], retrieved Dec. 21, 2022, available at URL: <https://www.engadget.com/2020-03-05-tcl-tri-fold-rollable-extendable-concept-hands-on.html> (Last accessed Dec. 21, 2022).

Rado Minkov, "Samsung Galaxy Z Fold Tab: news, rumors expectations", published Mar. 31, 2023 at PhoneArena.com: <URL: <https://www.phonearena.com/samsung-galaxy-z-fold-tab-release-date-price-features-news> (Last accessed Nov. 6, 2023).

* cited by examiner

FIG. 1

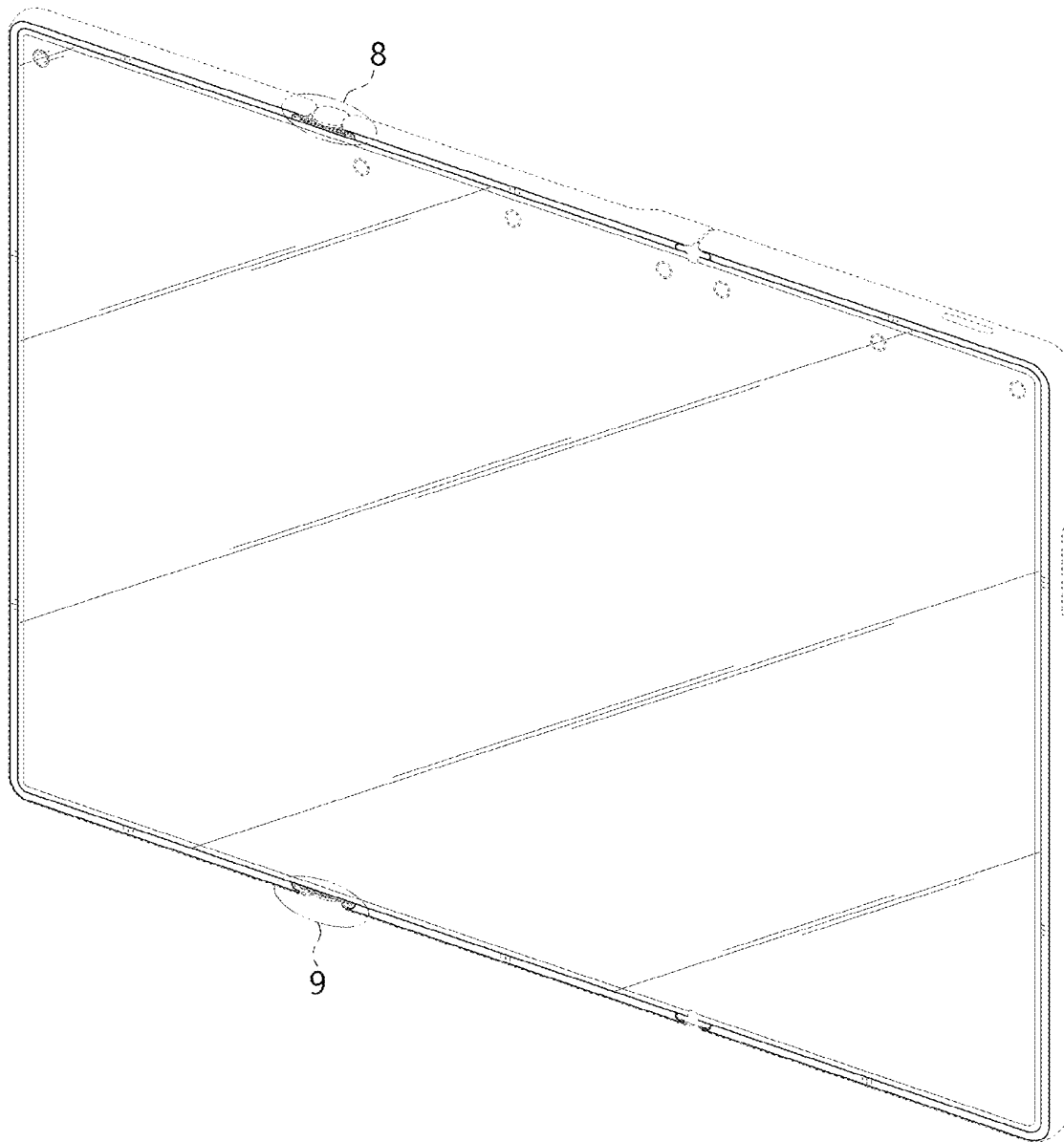


FIG. 2

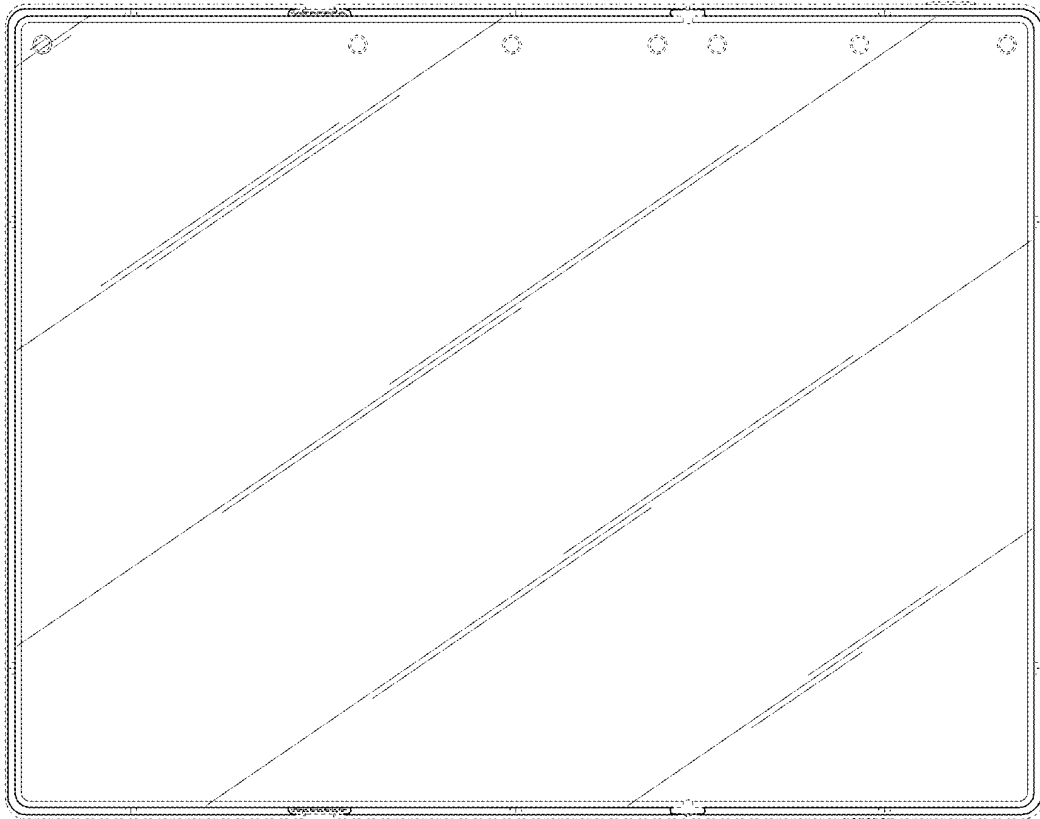


FIG. 3

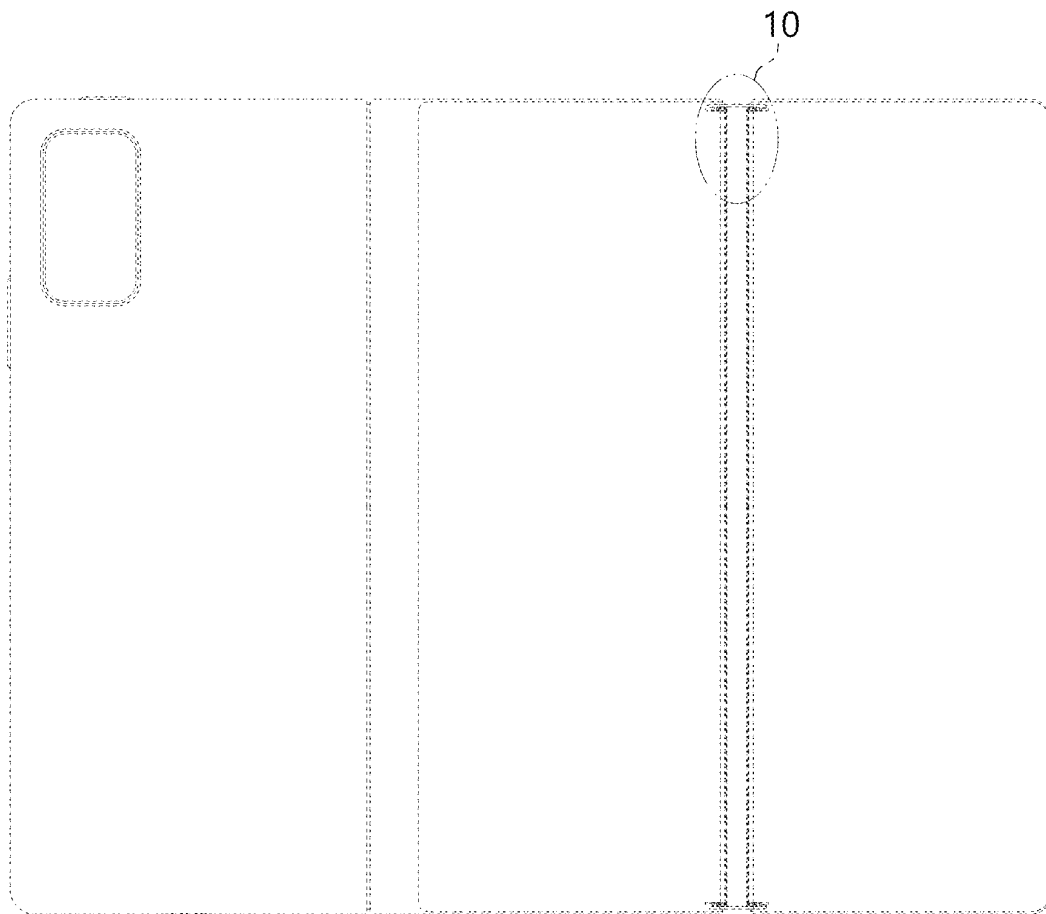


FIG. 4



FIG. 5

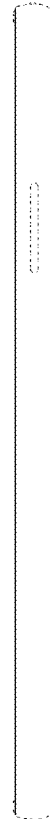


FIG. 6



FIG. 7

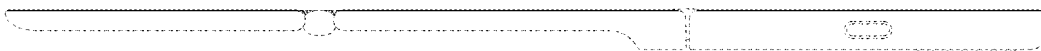


FIG. 8

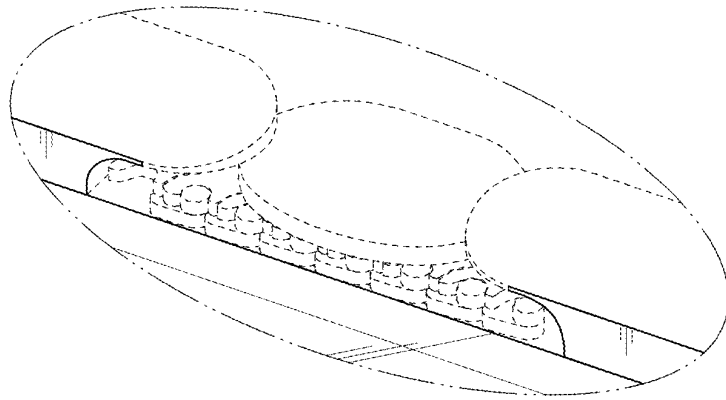


FIG. 9

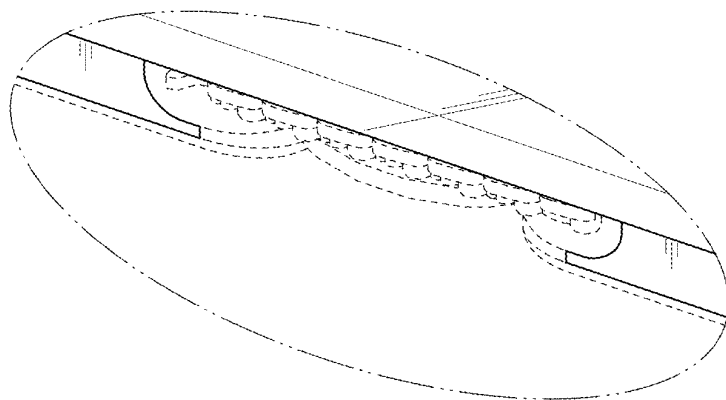


FIG. 10

